

APPLICATION:

PRODUCT NAME:

PEDESTAL GLASS FILLER

JOB NAME:

SPECIAL CONFIGURATION  
 CHECK BASE MODEL AND OPTIONS

QUANTITY:

ITEM NO.

MODEL:

- 1007 WITH 8" PEDESTAL
- 1008 WITH 10" PEDESTAL
- 12513 WITH 12" PEDESTAL
- 12726 WITH 14" PEDESTAL

OPTIONS OR MODIFICATIONS:

- SUPPLY LINES (24" OR 36") CIRCLE LENGTH
- OTHER \_\_\_\_\_

FEATURES

- \* REPLACEABLE STAINLESS STEEL HEAD
- \* MEETS NSF 61/SEC.9\*\*
- \* TAMPER PROOF VOLUME CONTROL
- \* HANDLES BOTH PAPER & GLASS CUPS
- \* NON-MARRING DELRIN PRONG
- \* STAINLESS STEEL SEAT SCREW
- \* STAINLESS STEEL STREAM STRAINER

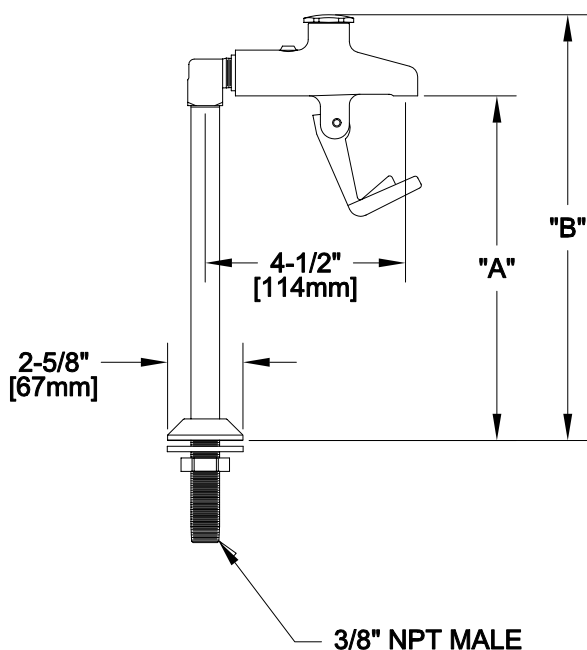
\*\* TESTED UNDER NSF-CSA ALLIANCE PROGRAM

SYSTEM LIMITS

- \* TEMP: 40°F MIN. TO 140°F MAX.
- \* PRESSURE: 100 PSI MAX. STATIC
- \* 2.2 GPM AT 80 PSI

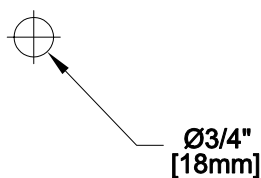
SHIPPING WEIGHT

- \* 4.0 LBS



MODEL	DIM "A"	DIM "B"
1007	8" [203mm]	9-3/4" [248mm]
1008	10" [254mm]	11-3/4" [299mm]
12513	12" [305mm]	13-3/4" [350mm]
12726	14" [356mm]	15-3/4" [400mm]

ROUGH-IN:



ANSI/A112.18.1M

**FISHER**

FISHER MANUFACTURING COMPANY  
 TOLL FREE: 800-421-6162 - FAX: 800-832-8238  
 information@fisher-mfg.com - www.fisher-mfg.com